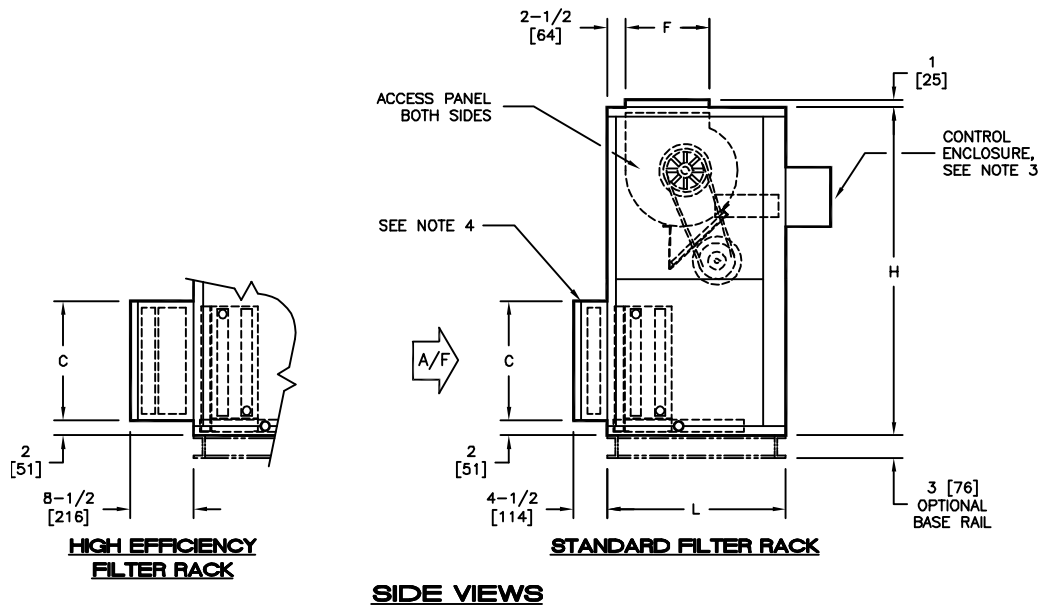
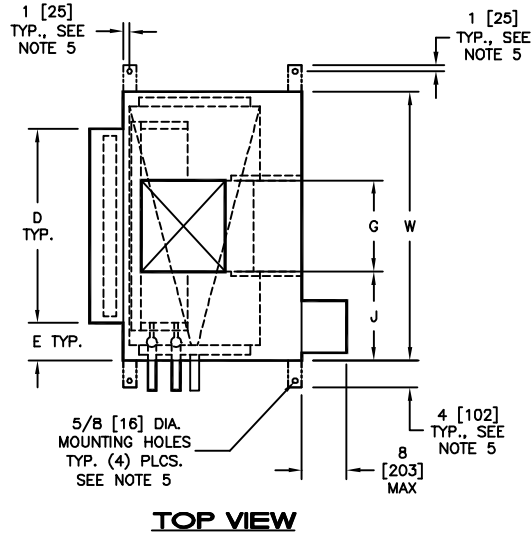


TBV

Belt Drive Blower Coil Unit, Basic Unit – Discharge ARGT. 1

NOTES:

1. All dimensions are inches [millimeters]. All dimensions are $\pm 1/4"$ (6mm). Metric values are soft conversion.
2. Right hand unit shown, left hand unit opposite. Motor/drive location may be specified Left or Right hand. Standard control enclosure location matches motor/drive position.
3. Provide sufficient clearance to permit access to controls and comply with applicable codes and ordinances.
4. See drawing on page 16 for filter rack details.
5. Base rail is optional on the base unit. See drawing on page 11. Base rails must be used with mixing box.
6. See coil submittal for coil connection sizes and locations.



DIMENSIONS

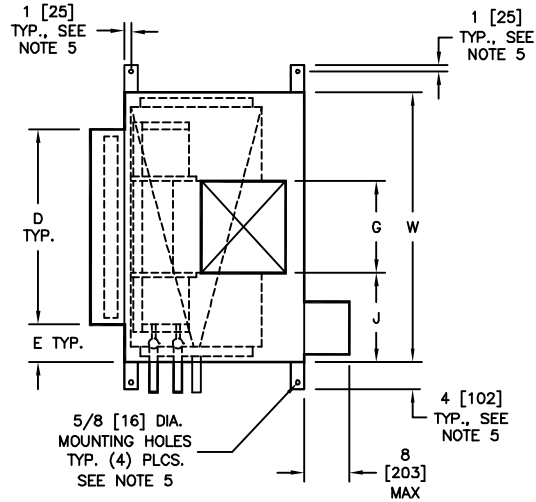
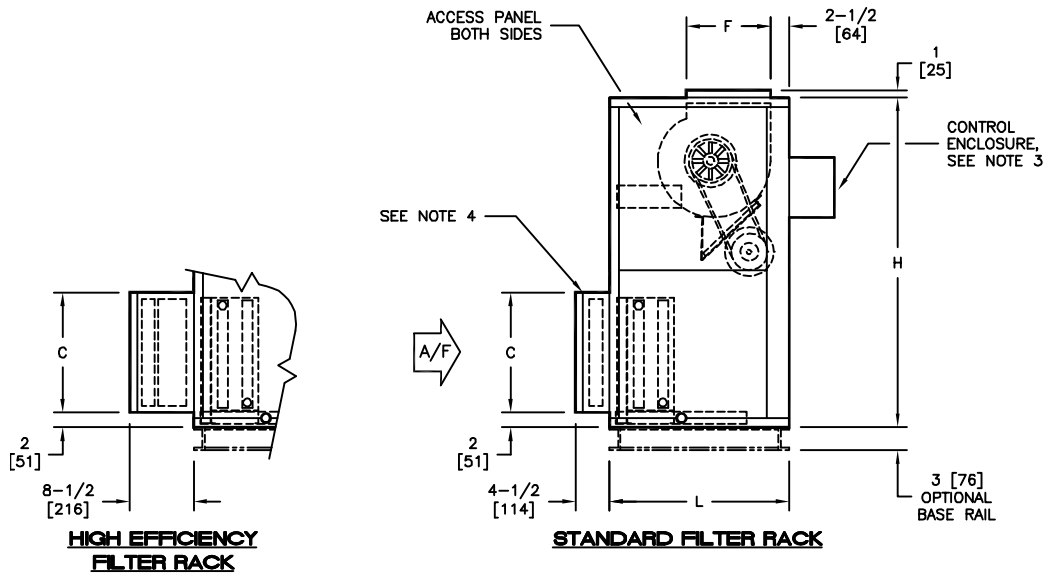
| SIZE | FAN SIZE | L | W | H | C | D | E | F | G | J |
|------|-------------|-------|--------|--------|-------|--------|-------|--------|--------|---------|
| 8 | 9 x 4 | 24 | 30 | 44 | 16 | 20 | 5 | 10-1/4 | 6-7/8 | 11-9/16 |
| | [229 x 102] | [610] | [762] | [1118] | [406] | [508] | [127] | [260] | [175] | [294] |
| 12 | 9 x 6 | 24 | 36 | 44 | 16 | 25 | 5-1/2 | 11-1/4 | 8-1/4 | 13-7/8 |
| | [229 x 152] | [610] | [914] | [1118] | [406] | [635] | [140] | [286] | [210] | [352] |
| 16 | 10 x 8 | 24 | 44 | 44 | 16 | 39-1/2 | 2-1/4 | 13-1/2 | 10-1/4 | 16-7/8 |
| | [254 x 203] | [610] | [1118] | [1118] | [406] | [1003] | [57] | [343] | [260] | [429] |
| 20 | 10 x 10 | 30 | 50 | 50 | 16 | 44-1/2 | 2-3/4 | 13-1/2 | 13-1/4 | 18-3/8 |
| | [254 x 254] | [762] | [1270] | [1270] | [406] | [1130] | [70] | [343] | [337] | [467] |
| 30 | 15 x 9 | 30 | 59 | 56 | 25 | 51 | 4 | 16 | 13-1/4 | 22-7/8 |
| | [381 x 229] | [762] | [1499] | [1422] | [635] | [1295] | [102] | [406] | [337] | [581] |
| 40 | 15 x 11 | 30 | 68 | 59 | 25 | 59 | 4-1/2 | 16 | 15 | 26-1/2 |
| | [381 x 279] | [762] | [1727] | [1499] | [635] | [1499] | [114] | [406] | [381] | [673] |

TBV

Belt Drive Blower Coil Unit, Basic Unit – Discharge ARGT. 2

NOTES:

1. All dimensions are inches [millimeters]. All dimensions are $\pm 1/4"$ (6mm). Metric values are soft conversion.
2. Right hand unit shown, left hand unit opposite. Motor/drive location may be specified Left or Right hand. Standard control enclosure location matches motor/drive position.
3. Provide sufficient clearance to permit access to controls and comply with applicable codes and ordinances.
4. See drawing on page 16 for filter rack details.
5. Base rail is optional on the base unit. See drawing on page 11. Base rails must be used with mixing box.
6. See coil submittal for coil connection sizes and locations.


TOP VIEW

SIDE VIEWS

DIMENSIONS

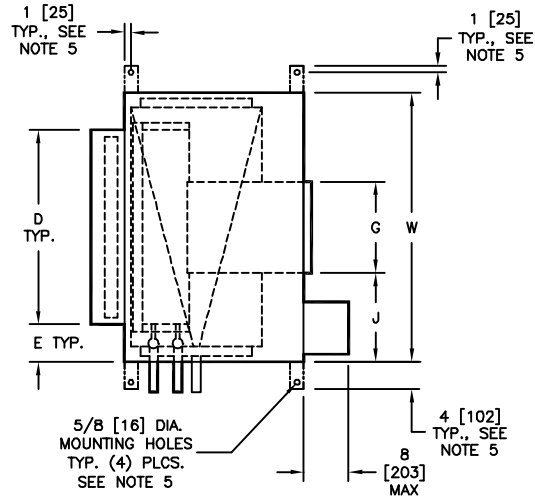
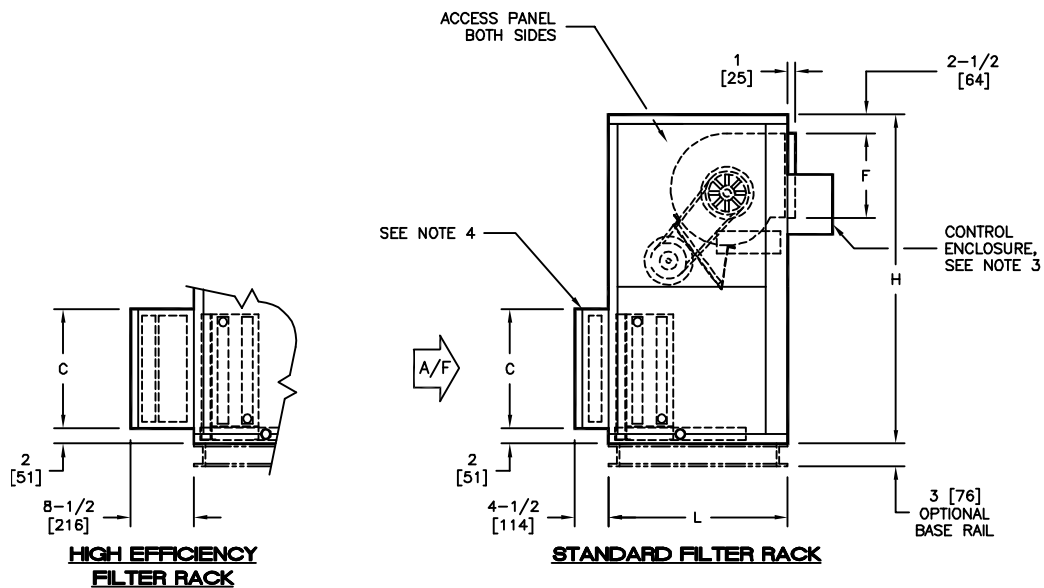
| SIZE | FAN SIZE | L | W | H | C | D | E | F | G | J |
|------|-------------|-------|--------|--------|-------|--------|-------|--------|--------|---------|
| 8 | 9 x 4 | 24 | 30 | 44 | 16 | 20 | 5 | 10-1/4 | 6-7/8 | 11-9/16 |
| | [229 x 102] | [610] | [762] | [1118] | [406] | [508] | [127] | [260] | [175] | [294] |
| 12 | 9 x 6 | 24 | 36 | 44 | 16 | 25 | 5-1/2 | 11-1/4 | 8-1/4 | 13-7/8 |
| | [229 x 152] | [610] | [914] | [1118] | [406] | [635] | [140] | [286] | [210] | [352] |
| 16 | 10 x 8 | 24 | 44 | 44 | 16 | 39-1/2 | 2-1/4 | 11-3/8 | 10-1/4 | 16-7/8 |
| | [254 x 203] | [610] | [1118] | [1118] | [406] | [1003] | [57] | [289] | [260] | [429] |
| 20 | 10 x 10 | 30 | 50 | 50 | 16 | 44-1/2 | 2-3/4 | 13-1/2 | 13-1/4 | 18-3/8 |
| | [254 x 254] | [762] | [1270] | [1270] | [406] | [1130] | [70] | [343] | [337] | [467] |
| 30 | 15 x 9 | 30 | 59 | 56 | 25 | 51 | 4 | 16 | 13-1/4 | 22-7/8 |
| | [381 x 229] | [762] | [1499] | [1422] | [635] | [1295] | [102] | [406] | [337] | [581] |
| 40 | 15 x 11 | 30 | 68 | 59 | 25 | 59 | 4-1/2 | 16 | 15 | 26-1/2 |
| | [381 x 279] | [762] | [1727] | [1499] | [635] | [1499] | [114] | [406] | [381] | [673] |

TBV

Belt Drive Blower Coil Unit, Basic Unit – Discharge ARG. 3

NOTES:

- All dimensions are inches [millimeters]. All dimensions are $\pm 1/4"$ (6mm). Metric values are soft conversion.
- Right hand unit shown, left hand unit opposite. Motor/drive location may be specified Left or Right hand. Standard control enclosure location matches motor/drive position.
- Provide sufficient clearance to permit access to controls and comply with applicable codes and ordinances.
- See drawing on page 16 for filter rack details.
- Base rail is optional on the base unit. See drawing on page 11. Base rails must be used with mixing box.
- See coil submittal for coil connection sizes and locations.


TOP VIEW

SIDE VIEWS

DIMENSIONS

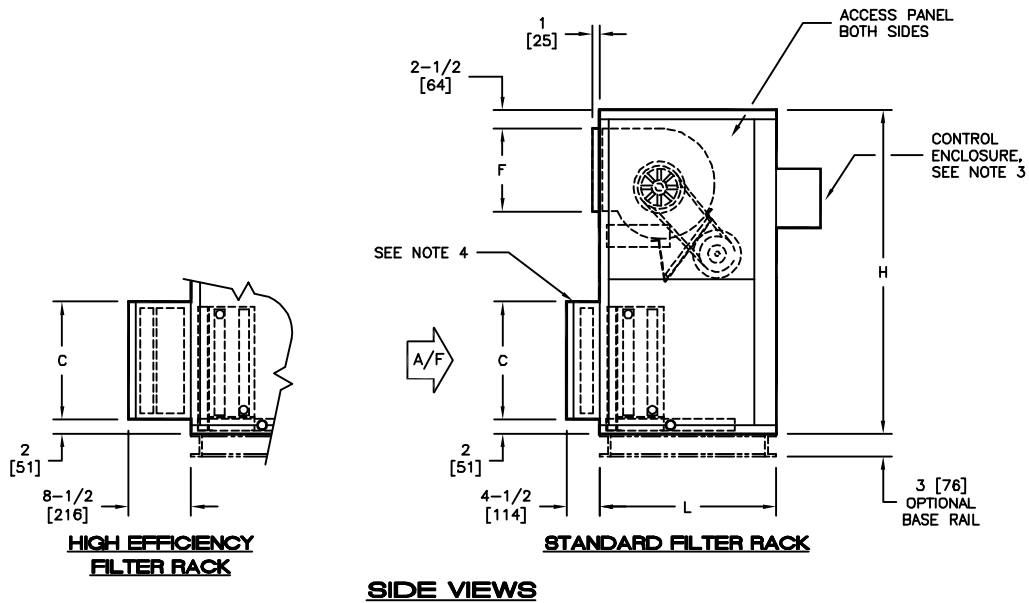
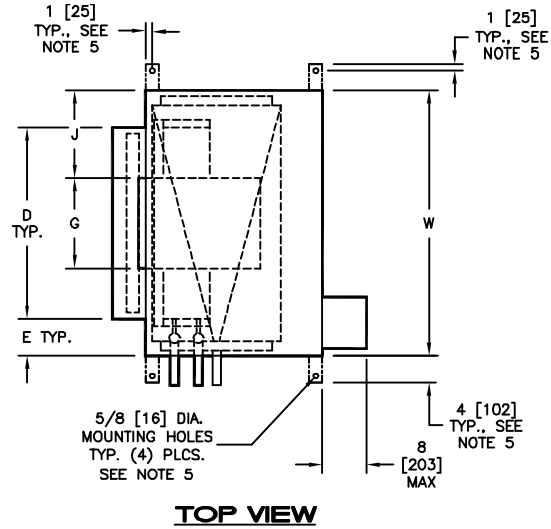
| SIZE | FAN SIZE | L | W | H | C | D | E | F | G | J |
|------|-------------|-------|--------|--------|-------|--------|-------|--------|--------|---------|
| 8 | 9 x 4 | 24 | 30 | 44 | 16 | 20 | 5 | 10-1/4 | 6-7/8 | 11-9/16 |
| | [229 x 102] | [610] | [762] | [1118] | [406] | [508] | [127] | [260] | [175] | [294] |
| 12 | 9 x 6 | 24 | 36 | 44 | 16 | 25 | 5-1/2 | 11-1/4 | 8-1/4 | 13-7/8 |
| | [229 x 152] | [610] | [914] | [1118] | [406] | [635] | [140] | [286] | [210] | [352] |
| 16 | 10 x 8 | 24 | 44 | 44 | 16 | 39-1/2 | 2-1/4 | 13-1/2 | 10-1/4 | 16-7/8 |
| | [254 x 203] | [610] | [1118] | [1118] | [406] | [1003] | [57] | [343] | [260] | [429] |
| 20 | 10 x 10 | 30 | 50 | 50 | 16 | 44-1/2 | 2-3/4 | 13-1/2 | 13-1/4 | 18-3/8 |
| | [254 x 254] | [762] | [1270] | [1270] | [406] | [1130] | [70] | [343] | [337] | [467] |
| 30 | 15 x 9 | 30 | 59 | 56 | 25 | 51 | 4 | 16 | 13-1/4 | 22-7/8 |
| | [381 x 229] | [762] | [1499] | [1422] | [635] | [1295] | [102] | [406] | [337] | [581] |
| 40 | 15 x 11 | 30 | 68 | 59 | 25 | 59 | 4-1/2 | 16 | 15 | 26-1/2 |
| | [381 x 279] | [762] | [1727] | [1499] | [635] | [1499] | [114] | [406] | [381] | [673] |

TBV

Belt Drive Blower Coil Unit, Basic Unit – Discharge ARGT. 7

NOTES:

1. All dimensions are inches [millimeters]. All dimensions are $\pm 1/4"$ (6mm). Metric values are soft conversion.
2. Right hand unit shown, left hand unit opposite. Motor/drive location may be specified Left or Right hand. Standard control enclosure location matches motor/drive position.
3. Provide sufficient clearance to permit access to controls and comply with applicable codes and ordinances.
4. See drawing on page 16 for filter rack details.
5. Base rail is optional on the base unit. See drawing on page 11. Base rails must be used with mixing box.
6. See coil submittal for coil connection sizes and locations.



DIMENSIONS

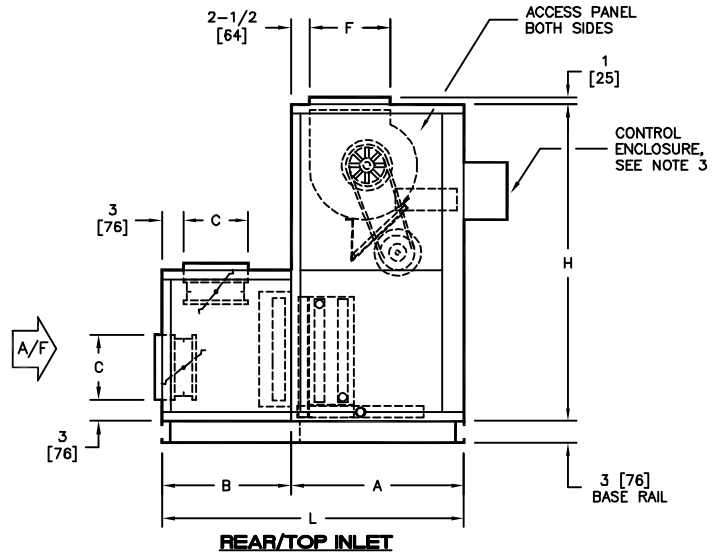
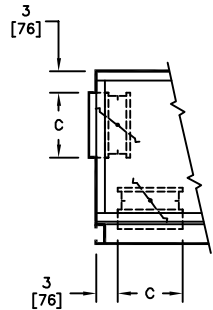
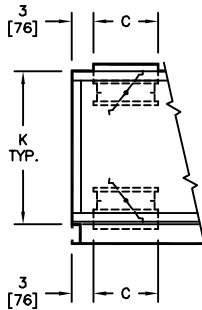
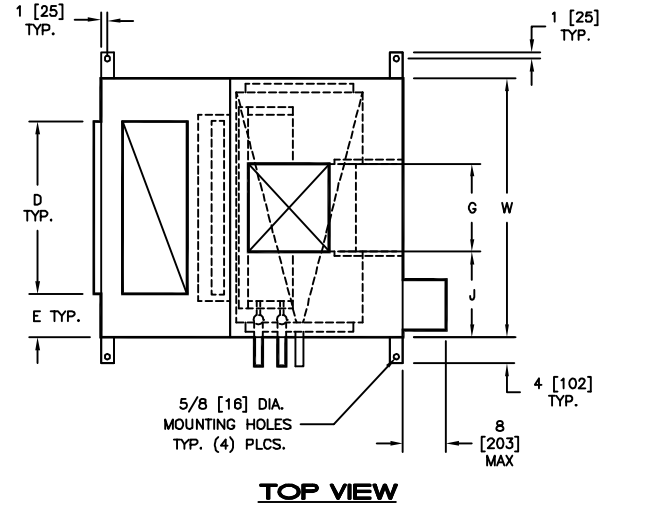
| SIZE | FAN SIZE | L | W | H | C | D | E | F | G | J |
|------|------------------------|-------------|--------------|--------------|-------------|------------------|----------------|-----------------|-----------------|------------------|
| 8 | 9 x 4 [229 x 102] | 24 [610] | 30 [762] | 44 [1118] | 16 [406] | 20 [508] | 5 [127] | 10-1/4 [260] | 6-7/8 [175] | 11-9/16 [294] |
| 12 | 9 x 6 [229 x 152] | 24 [610] | 36 [914] | 44 [1118] | 16 [406] | 25 [635] | 5-1/2 [140] | 11-1/4 [286] | 8-1/4 [210] | 13-7/8 [352] |
| 16 | 10 x 8 [254 x 203] | 24 [610] | 44 [1118] | 44 [1118] | 16 [406] | 39-1/2 [1003] | 2-1/4 [57] | 13-1/2 [343] | 10-1/4 [260] | 16-7/8 [429] |
| 20 | 10 x 10 [254 x 254] | 30 [762] | 50 [1270] | 50 [1270] | 16 [406] | 44-1/2 [1130] | 2-3/4 [70] | 13-1/2 [343] | 13-1/4 [337] | 18-3/8 [467] |
| 30 | 15 x 9 [381 x 229] | 30 [762] | 59 [1499] | 56 [1422] | 25 [635] | 51 [1295] | 4 [102] | 16 [406] | 13-1/4 [337] | 22-7/8 [581] |
| 40 | 15 x 11 [381 x 279] | 30 [762] | 68 [1727] | 59 [1499] | 25 [635] | 59 [1499] | 4-1/2 [114] | 16 [406] | 15 [381] | 26-1/2 [673] |

TBV

Belt Drive Blower Coil Unit, Basic Unit – Discharge ARGT. 1 w/ Mixing Box

NOTES:

1. All dimensions are inches [millimeters]. All dimensions are $\pm 1/4"$ (6mm). Metric values are soft conversion.
2. Right hand unit shown, left hand unit opposite. Motor/drive location may be specified Left or Right hand. Standard control enclosure location matches motor/drive position.
3. Provide sufficient clearance to permit access to controls and comply with applicable codes and ordinances.
4. See drawing on page 16 for filter rack details.
5. Base rail is optional on the base unit. See drawing on page 11. Base rails must be used with mixing box.
6. See coil submittal for coil connection sizes and locations.
7. High efficiency filter rack not available with mixing box.


SIDE VIEWS

DIMENSIONS

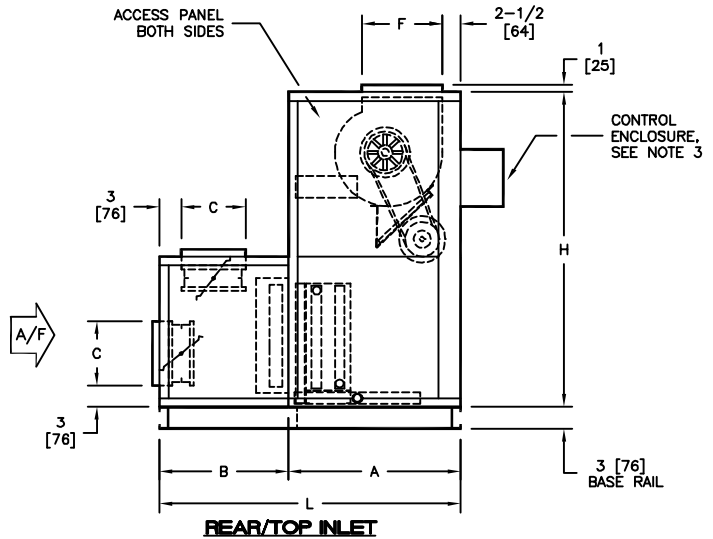
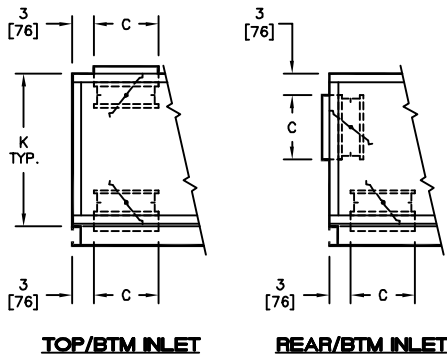
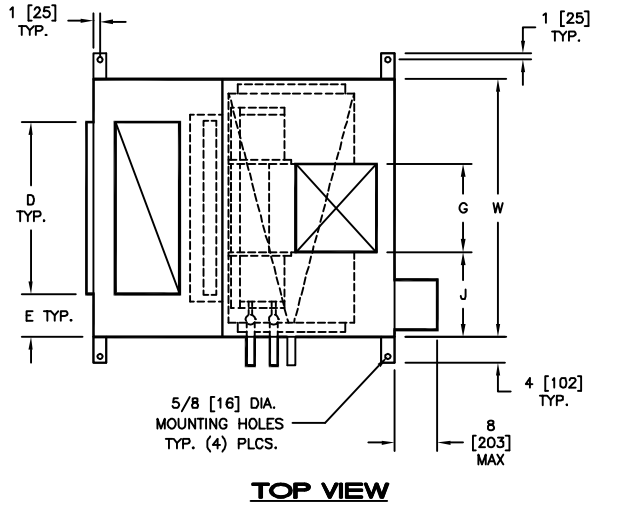
| SIZE | FAN SIZE | L | W | H | A | B | C | D | E | F | G | J | K |
|------|-------------|--------|--------|--------|-------|-------|-------|--------|-------|--------|--------|---------|-------|
| 8 | 9 x 4 | 42 | 30 | 44 | 24 | 18 | 9 | 18 | 6 | 10-1/4 | 6-7/8 | 11-9/16 | 21 |
| | [229 x 102] | [1067] | [762] | [1118] | [610] | [457] | [229] | [457] | [152] | [260] | [175] | [294] | [533] |
| 12 | 9 x 6 | 42 | 36 | 44 | 24 | 18 | 9 | 24 | 6 | 11-1/4 | 8-1/4 | 13-7/8 | 21 |
| | [229 x 152] | [1067] | [914] | [1118] | [610] | [457] | [229] | [610] | [152] | [286] | [210] | [352] | [533] |
| 16 | 10 x 8 | 42 | 44 | 44 | 24 | 18 | 9 | 30 | 7 | 13-1/2 | 10-1/4 | 16-7/8 | 21 |
| | [254 x 203] | [1067] | [1118] | [1118] | [610] | [457] | [229] | [762] | [178] | [343] | [260] | [429] | [533] |
| 20 | 10 x 10 | 51 | 50 | 50 | 30 | 21 | 12 | 36 | 7 | 13-1/2 | 13-1/4 | 18-3/8 | 21 |
| | [254 x 254] | [1295] | [1270] | [1270] | [762] | [533] | [305] | [914] | [178] | [343] | [337] | [467] | [533] |
| 30 | 15 x 9 | 51 | 59 | 56 | 30 | 21 | 12 | 45 | 7 | 16 | 13-1/4 | 22-7/8 | 30 |
| | [381 x 229] | [1295] | [1499] | [1422] | [762] | [533] | [305] | [1143] | [178] | [406] | [337] | [581] | [762] |
| 40 | 15 x 11 | 54 | 68 | 59 | 30 | 24 | 15 | 48 | 10 | 16 | 15 | 26-1/2 | 30 |
| | [381 x 279] | [1372] | [1727] | [1499] | [762] | [610] | [381] | [1219] | [254] | [406] | [381] | [673] | [762] |

TBV

Belt Drive Blower Coil Unit, Basic Unit – Discharge ARGT. 2 w/ Mixing Box

NOTES:

1. All dimensions are inches [millimeters]. All dimensions are $\pm 1/4"$ (6mm). Metric values are soft conversion.
2. Right hand unit shown, left hand unit opposite. Motor/drive location may be specified Left or Right hand. Standard control enclosure location matches motor/drive position.
3. Provide sufficient clearance to permit access to controls and comply with applicable codes and ordinances.
4. See drawing on page 16 for filter rack details.
5. Base rail is optional on the base unit. See drawing on page 11. Base rails must be used with mixing box.
6. See coil submittal for coil connection sizes and locations.
7. High efficiency filter rack not available with mixing box.



SIDE VIEWS

DIMENSIONS

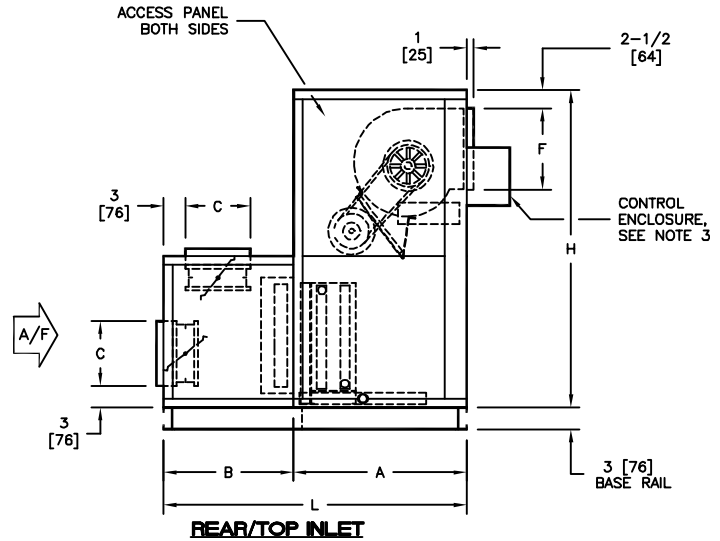
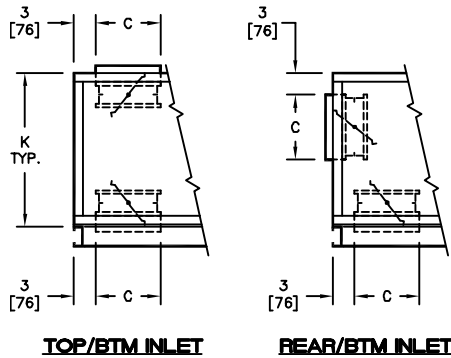
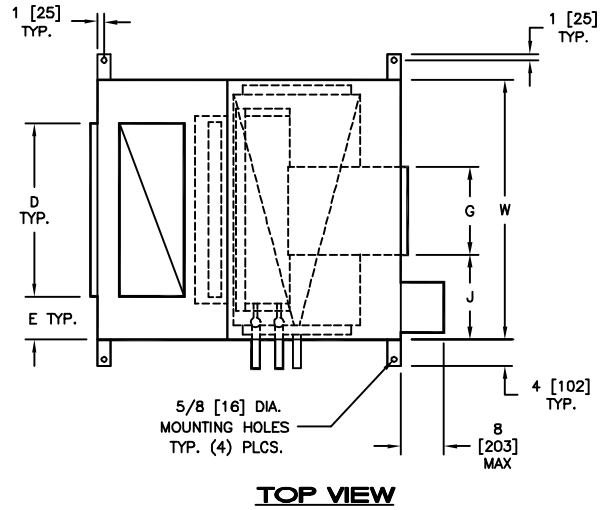
| SIZE | FAN SIZE | L | W | H | A | B | C | D | E | F | G | J | K |
|------|-------------|--------|--------|--------|-------|-------|-------|--------|-------|--------|--------|---------|-------|
| 8 | 9 x 4 | 42 | 30 | 44 | 24 | 18 | 9 | 18 | 6 | 10-1/4 | 6-7/8 | 11-9/16 | 21 |
| | [229 x 102] | [1067] | [762] | [1118] | [610] | [457] | [229] | [457] | [152] | [260] | [175] | [294] | [533] |
| 12 | 9 x 6 | 42 | 36 | 44 | 24 | 18 | 9 | 24 | 6 | 11-1/4 | 8-1/4 | 13-7/8 | 21 |
| | [229 x 152] | [1067] | [914] | [1118] | [610] | [457] | [229] | [610] | [152] | [286] | [210] | [352] | [533] |
| 16 | 10 x 8 | 42 | 44 | 44 | 24 | 18 | 9 | 30 | 7 | 13-1/2 | 10-1/4 | 16-7/8 | 21 |
| | [254 x 203] | [1067] | [1118] | [1118] | [610] | [457] | [229] | [762] | [178] | [343] | [260] | [429] | [533] |
| 20 | 10 x 10 | 51 | 50 | 50 | 30 | 21 | 12 | 36 | 7 | 13-1/2 | 13-1/4 | 18-3/8 | 21 |
| | [254 x 254] | [1295] | [1270] | [1270] | [762] | [533] | [305] | [914] | [178] | [343] | [343] | [467] | [533] |
| 30 | 15 x 9 | 51 | 59 | 56 | 30 | 21 | 12 | 45 | 7 | 16 | 13-1/4 | 22-7/8 | 30 |
| | [381 x 229] | [1295] | [1499] | [1422] | [762] | [533] | [305] | [1143] | [178] | [406] | [343] | [581] | [762] |
| 40 | 15 x 11 | 54 | 68 | 59 | 30 | 24 | 15 | 48 | 10 | 16 | 15 | 26-1/2 | 30 |
| | [381 x 279] | [1372] | [1727] | [1499] | [762] | [610] | [381] | [1219] | [254] | [406] | [381] | [673] | [762] |

TBV

Belt Drive Blower Coil Unit, Basic Unit – Discharge ARGT. 3 w/ Mixing Box

NOTES:

1. All dimensions are inches [millimeters]. All dimensions are $\pm 1/4"$ (6mm). Metric values are soft conversion.
2. Right hand unit shown, left hand unit opposite. Motor/drive location may be specified Left or Right hand. Standard control enclosure location matches motor/drive position.
3. Provide sufficient clearance to permit access to controls and comply with applicable codes and ordinances.
4. See drawing on page 16 for filter rack details.
5. Outside and return air damper linkage is optional.
6. See coil submittal for coil connection sizes and locations.
7. High efficiency filter rack not available with mixing box.


SIDE VIEWS

DIMENSIONS

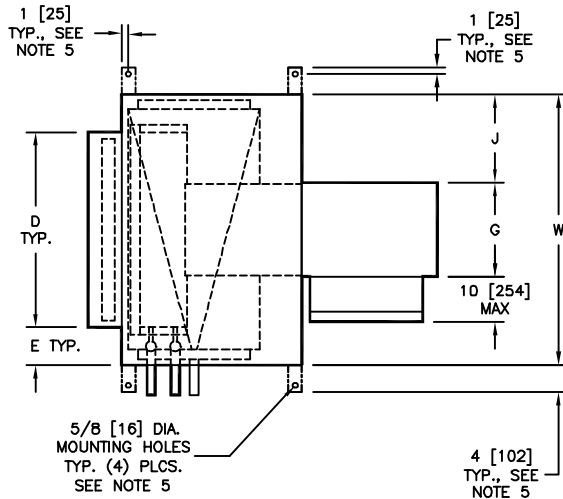
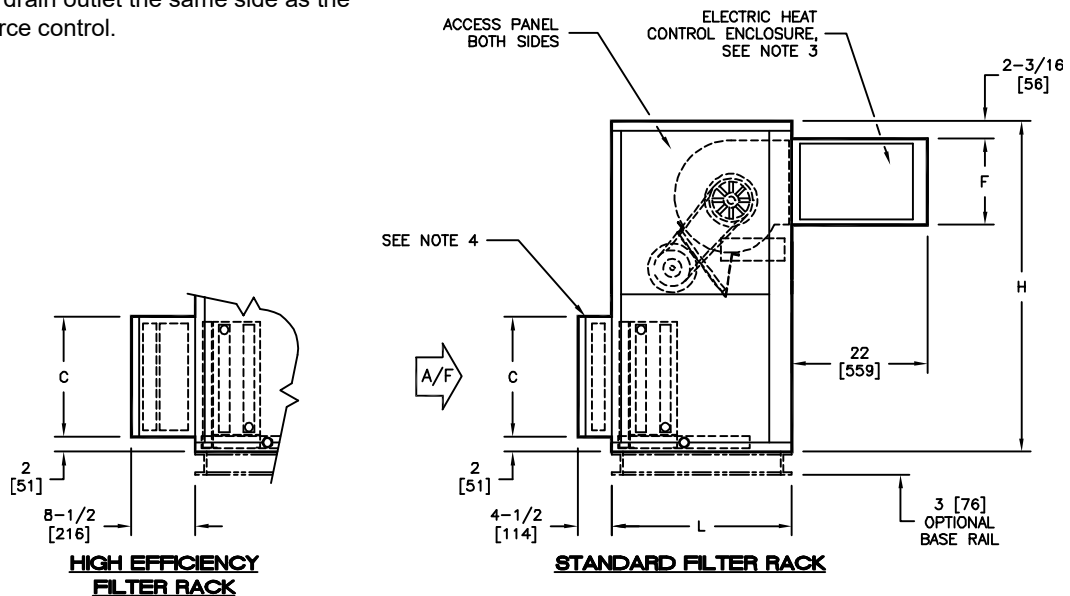
| SIZE | FAN SIZE | L | W | H | A | B | C | D | E | F | G | J | K |
|------|-------------|--------|--------|--------|-------|-------|-------|--------|-------|--------|--------|---------|-------|
| 8 | 9 x 4 | 42 | 30 | 44 | 24 | 18 | 9 | 18 | 6 | 10-1/4 | 6-7/8 | 11-9/16 | 21 |
| | [229 x 102] | [1067] | [762] | [1118] | [610] | [457] | [229] | [457] | [152] | [260] | [175] | [294] | [533] |
| 12 | 9 x 6 | 42 | 36 | 44 | 24 | 18 | 9 | 24 | 6 | 11-1/4 | 8-1/4 | 13-7/8 | 21 |
| | [229 x 152] | [1067] | [914] | [1118] | [610] | [457] | [229] | [610] | [152] | [286] | [210] | [352] | [533] |
| 16 | 10 x 8 | 42 | 44 | 44 | 24 | 18 | 9 | 30 | 7 | 13-1/2 | 10-1/4 | 16-7/8 | 21 |
| | [254 x 203] | [1067] | [1118] | [1118] | [610] | [457] | [229] | [762] | [178] | [343] | [260] | [429] | [533] |
| 20 | 10 x 10 | 51 | 50 | 50 | 30 | 21 | 12 | 36 | 7 | 13-1/2 | 13-1/4 | 18-3/8 | 21 |
| | [254 x 254] | [1295] | [1270] | [1270] | [762] | [533] | [305] | [914] | [178] | [343] | [343] | [467] | [533] |
| 30 | 15 x 9 | 51 | 59 | 56 | 30 | 21 | 12 | 45 | 7 | 16 | 13-1/4 | 22-7/8 | 30 |
| | [381 x 229] | [1295] | [1499] | [1422] | [762] | [533] | [305] | [1143] | [178] | [406] | [343] | [581] | [762] |
| 40 | 15 x 11 | 54 | 68 | 59 | 30 | 24 | 15 | 48 | 10 | 16 | 15 | 26-1/2 | 30 |
| | [381 x 279] | [1372] | [1727] | [1499] | [762] | [610] | [381] | [1219] | [254] | [406] | [381] | [673] | [762] |

TBV

Belt Drive Blower Coil Unit, Basic Unit – Discharge ARGT. 3 w/ Blow-thru Electric Heat

NOTES:

1. All dimensions are inches [millimeters]. All dimensions are $\pm 1/4"$ (6mm). Metric values are soft conversion.
2. Right hand unit shown, left hand unit opposite. Motor/drive location may be specified Left or Right hand. Standard control enclosure location matches motor/drive position.
3. Provide sufficient clearance to permit access to controls and comply with applicable codes and ordinances.
4. See drawing on page 16 for filter rack details.
5. Base rail is optional on the base unit. See drawing on page 11. Base rails must be used with mixing box.
6. See coil submittal for coil connection sizes and locations.
7. Units with electric heat only (No chilled water, DX, hot water or steam coils) and a drain pan will be supplied with condensate drain outlet the same side as the electric heat source control.


TOP VIEW

SIDE VIEWS
DIMENSIONS

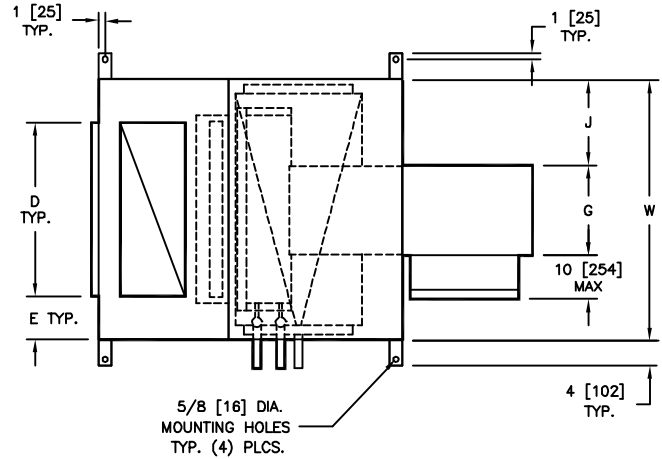
| SIZE | FAN SIZE | L | W | H | C | D | E | F | G | J |
|------|-------------|-------|--------|--------|-------|--------|-------|--------|--------|----------|
| 8 | 9 x 4 | 24 | 30 | 44 | 16 | 20 | 5 | 11-7/8 | 8-7/8 | 10-9/16 |
| | [229 x 102] | [610] | [762] | [1118] | [406] | [508] | [127] | [302] | [225] | [268] |
| 12 | 9 x 6 | 24 | 36 | 44 | 16 | 25 | 5-1/2 | 11-7/8 | 8-7/8 | 13-9/16 |
| | [229 x 152] | [610] | [914] | [1118] | [406] | [635] | [140] | [302] | [225] | [344] |
| 16 | 10 x 8 | 24 | 44 | 44 | 16 | 39-1/2 | 2-1/4 | 12 | 10-7/8 | 16-9/16 |
| | [254 x 203] | [610] | [1118] | [1118] | [406] | [1003] | [57] | [305] | [276] | [421] |
| 20 | 10 x 10 | 30 | 50 | 50 | 16 | 44-1/2 | 2-3/4 | 12 | 13-7/8 | 18-1/16 |
| | [254 x 254] | [762] | [1270] | [1270] | [406] | [1130] | [70] | [305] | [352] | [459] |
| 30 | 15 x 9 | 30 | 59 | 56 | 25 | 51 | 4 | 16-5/8 | 13-7/8 | 22-9/16 |
| | [381 x 229] | [762] | [1499] | [1422] | [635] | [1295] | [102] | [422] | [352] | [573] |
| 40 | 15 x 11 | 30 | 68 | 59 | 25 | 59 | 4-1/2 | 16-5/8 | 15-5/8 | 21-11/16 |
| | [381 x 279] | [762] | [1727] | [1499] | [635] | [1499] | [114] | [422] | [397] | [551] |

TBV

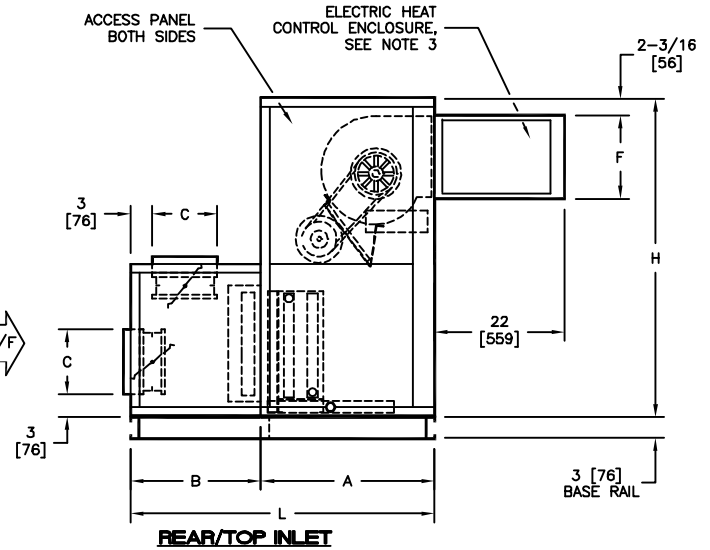
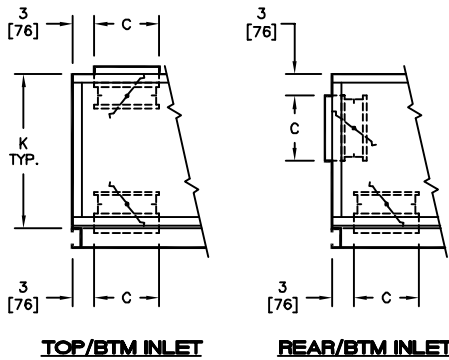
Belt Drive Blower Coil Unit, Basic Unit – Discharge ARGT. 3 w/ Mixing Box & Blow-thru Electric Heat

NOTES:

1. All dimensions are inches [millimeters]. All dimensions are $\pm 1/4"$ (6mm). Metric values are soft conversion.
2. Right hand unit shown, left hand unit opposite. Motor/drive location may be specified Left or Right hand. Standard control enclosure location matches motor/drive position.
3. Provide sufficient clearance to permit access to controls and comply with applicable codes and ordinances.
4. See drawing on page 16 for filter rack details.
5. Outside and return air damper linkage is optional.
6. High efficiency filter rack not available with mixing box.
7. Units with electric heat only (No chilled water, DX, hot water or steam coils) and a drain pan will be supplied with condensate drain outlet the same side as the electric heat source control.



TOP VIEW



SIDE VIEWS

DIMENSIONS

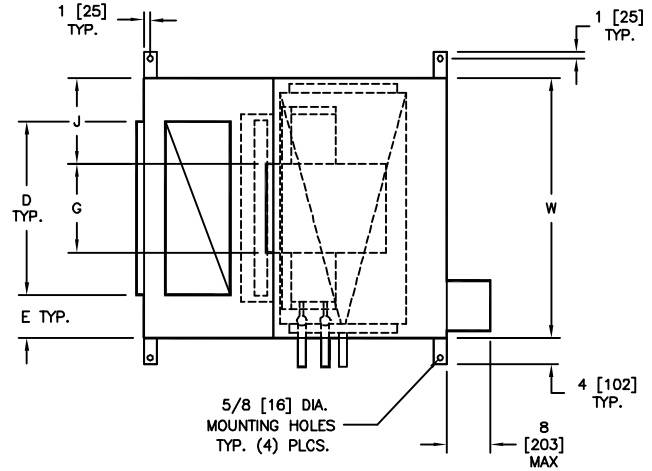
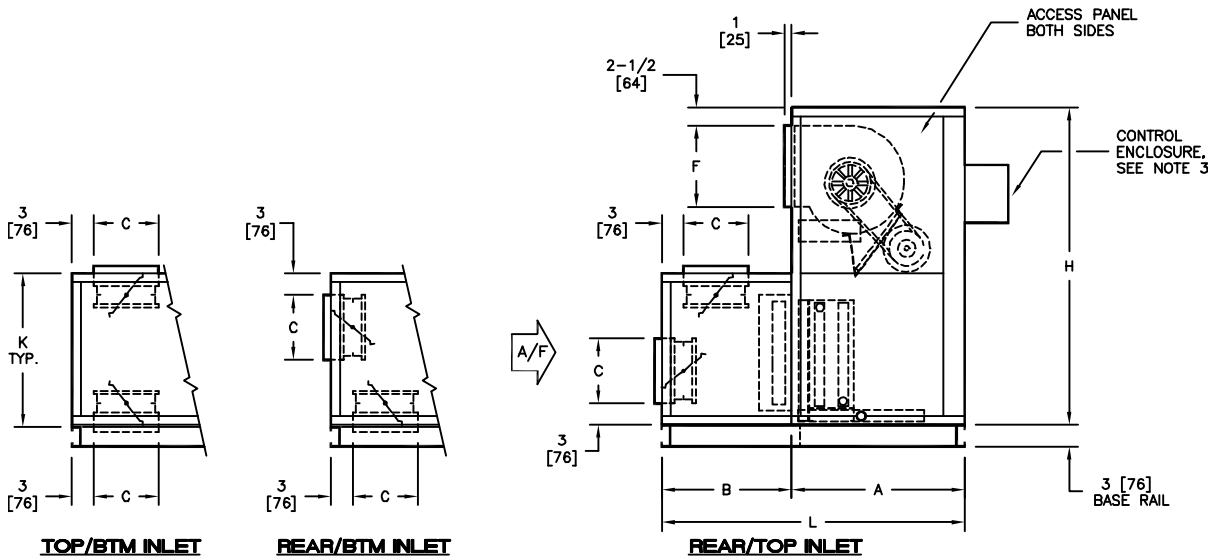
| SIZE | FAN SIZE | L | W | H | A | B | C | D | E | F | G | J | K |
|------|-------------|--------|--------|--------|-------|-------|-------|--------|-------|--------|--------|----------|-------|
| 8 | 9 x 4 | 42 | 30 | 44 | 24 | 18 | 9 | 18 | 6 | 11-7/8 | 8-7/8 | 10-9/16 | 21 |
| | [229 x 102] | [1067] | [762] | [1118] | [610] | [457] | [229] | [457] | [152] | [302] | [225] | [268] | [533] |
| 12 | 9 x 6 | 42 | 36 | 44 | 24 | 18 | 9 | 24 | 6 | 11-7/8 | 8-7/8 | 13-9/16 | 21 |
| | [229 x 152] | [1067] | [914] | [1118] | [610] | [457] | [229] | [610] | [152] | [302] | [225] | [344] | [533] |
| 16 | 10 x 8 | 42 | 44 | 44 | 24 | 18 | 9 | 30 | 7 | 12 | 10-7/8 | 16-9/16 | 21 |
| | [254 x 203] | [1067] | [1118] | [1118] | [610] | [457] | [229] | [762] | [178] | [305] | [276] | [421] | [533] |
| 20 | 10 x 10 | 51 | 50 | 50 | 30 | 21 | 12 | 36 | 7 | 12 | 13-7/8 | 18-1/16 | 21 |
| | [254 x 254] | [1295] | [1270] | [1270] | [762] | [533] | [305] | [914] | [178] | [305] | [352] | [459] | [533] |
| 30 | 15 x 9 | 51 | 59 | 56 | 30 | 21 | 12 | 45 | 7 | 16-5/8 | 13-7/8 | 22-9/16 | 30 |
| | [381 x 229] | [1295] | [1499] | [1422] | [762] | [533] | [305] | [1143] | [178] | [422] | [352] | [573] | [762] |
| 40 | 15 x 11 | 54 | 68 | 59 | 30 | 24 | 15 | 48 | 10 | 16-5/8 | 15-5/8 | 21-11/16 | 30 |
| | [381 x 279] | [1372] | [1727] | [1499] | [762] | [610] | [381] | [1219] | [254] | [422] | [397] | [551] | [762] |

TBV

Belt Drive Blower Coil Unit, Basic Unit – Discharge ARGT. 7 w/ Mixing Box

NOTES:

- All dimensions are inches [millimeters]. All dimensions are $\pm 1/4"$ (6mm). Metric values are soft conversion.
- Right hand unit shown, left hand unit opposite. Motor/drive location may be specified Left or Right hand. Standard control enclosure location matches motor/drive position.
- Provide sufficient clearance to permit access to controls and comply with applicable codes and ordinances.
- See drawing on page 16 for filter rack details.
- Outside and return air damper linkage is optional.
- See coil submittal for coil connection sizes and locations.
- High efficiency filter rack not available with mixing box.


TOP VIEW

SIDE VIEWS

DIMENSIONS

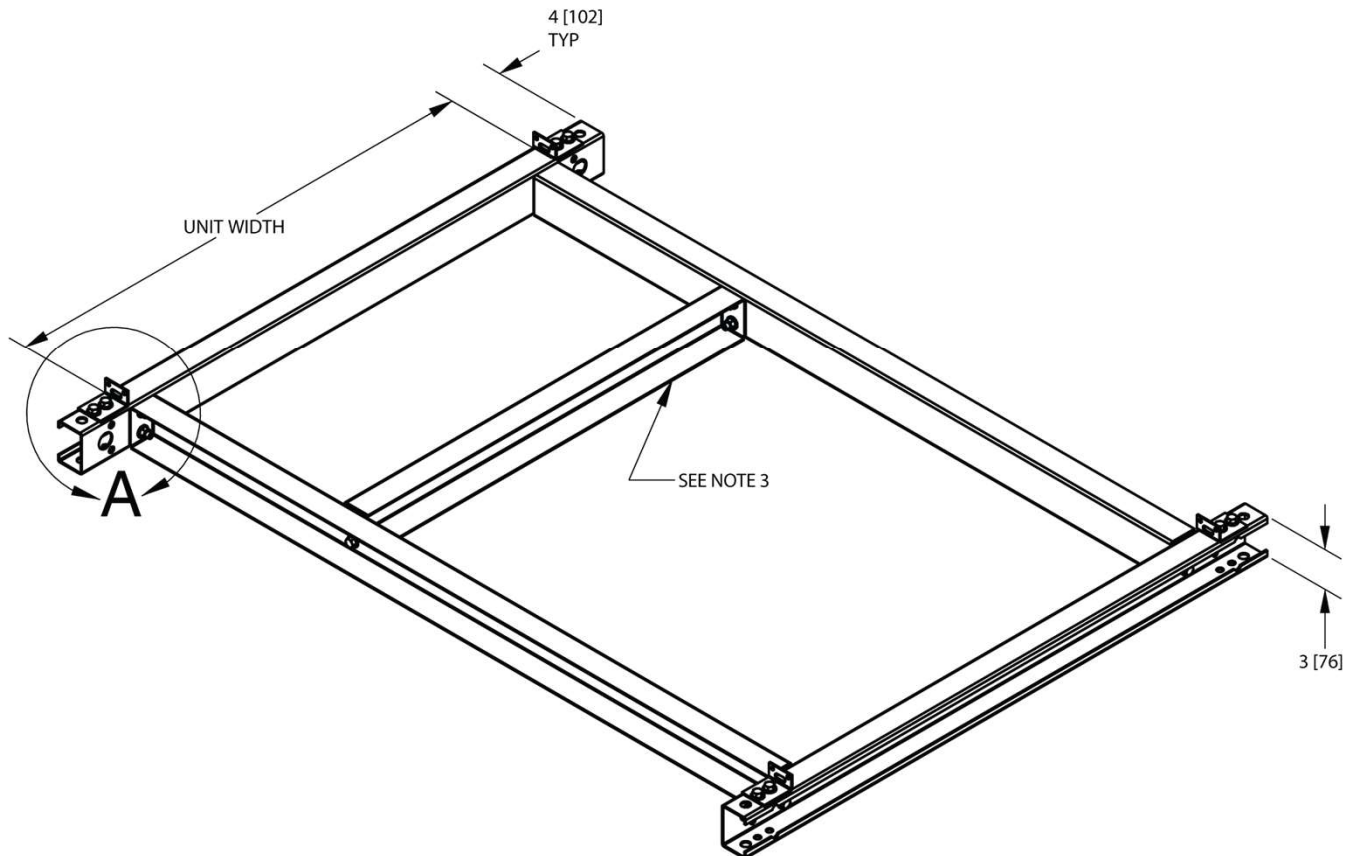
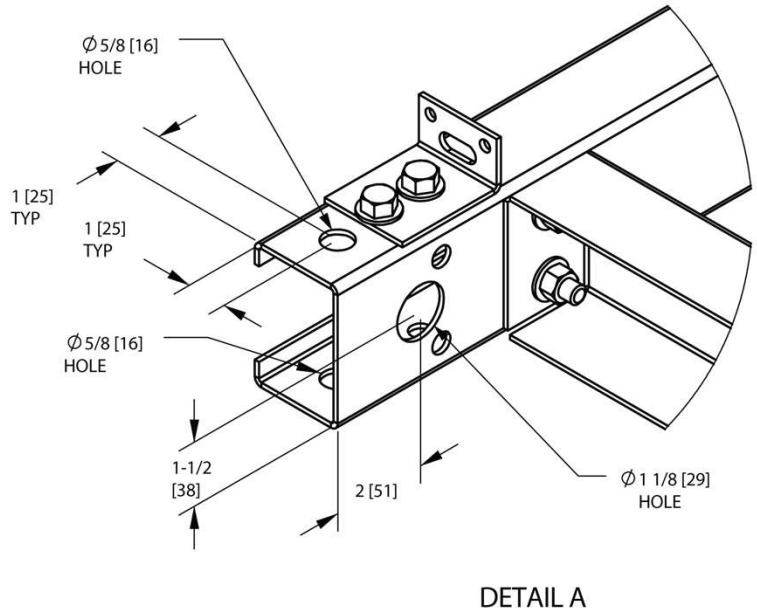
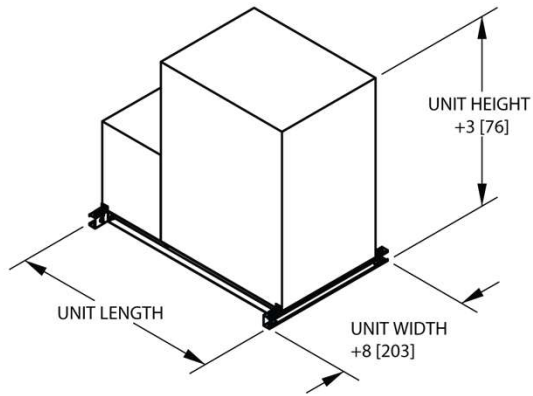
| SIZE | FAN SIZE | L | W | H | A | B | C | D | E | F | G | J | K |
|------|-------------|--------|--------|--------|-------|-------|-------|--------|-------|--------|--------|---------|-------|
| 8 | 9 x 4 | 42 | 30 | 44 | 24 | 18 | 9 | 18 | 6 | 10-1/4 | 6-7/8 | 11-9/16 | 21 |
| | [229 x 102] | [1067] | [762] | [1118] | [610] | [457] | [229] | [457] | [152] | [260] | [175] | [294] | [533] |
| 12 | 9 x 6 | 42 | 36 | 44 | 24 | 18 | 9 | 24 | 6 | 11-1/4 | 8-1/4 | 13-7/8 | 21 |
| | [229 x 152] | [1067] | [914] | [1118] | [610] | [457] | [229] | [610] | [152] | [286] | [210] | [352] | [533] |
| 16 | 10 x 8 | 42 | 44 | 44 | 24 | 18 | 9 | 30 | 7 | 13-1/2 | 10-1/4 | 16-7/8 | 21 |
| | [254 x 203] | [1067] | [1118] | [1118] | [610] | [457] | [229] | [762] | [178] | [343] | [260] | [429] | [533] |
| 20 | 10 x 10 | 51 | 50 | 50 | 30 | 21 | 12 | 36 | 7 | 13-1/2 | 13-1/4 | 18-3/8 | 21 |
| | [254 x 254] | [1295] | [1270] | [1270] | [762] | [533] | [305] | [914] | [178] | [343] | [337] | [467] | [533] |
| 30 | 15 x 9 | 51 | 59 | 56 | 30 | 21 | 12 | 45 | 7 | 16 | 13-1/4 | 22-7/8 | 30 |
| | [381 x 229] | [1295] | [1499] | [1422] | [762] | [533] | [305] | [1143] | [178] | [406] | [337] | [581] | [762] |
| 40 | 15 x 11 | 54 | 68 | 59 | 30 | 24 | 15 | 48 | 10 | 16 | 15 | 26-1/2 | 30 |
| | [381 x 279] | [1372] | [1727] | [1499] | [762] | [610] | [381] | [1219] | [254] | [406] | [381] | [673] | [762] |

ASSY, Base Rail, 3"

Belt Drive Blower Coil Units

NOTES:

1. All dimensions are inches [millimeters].
All dimensions are $\pm 1/4$ " (6mm). Metric values are soft conversion.
2. Vertical unit shown, typical for both vertical and horizontal units.
3. Support used on units with length over 50 [1270].



TBV

Belt Drive Blower Coil Unit Features and Options

STANDARD FEATURES

Casing Construction:

- Galvanized 18 gauge steel casing
- 1" thick fiberglass insulation
- 1" supply duct collar
- Gasketed removable access panels sized for easy handling
- Galvanized steel drain pan with 1-1/8" ODM copper outlet both sides
- Right and left hand unit configuration

Fan Assembly:

- Forward curved fan
- Statically and dynamically balanced
- Solid steel shafting
- Ball bearings with design average life of 100,000 hours

Fan Motor and Drive:

- NEMA design ODP motors
- 1750 RPM single speed, 60 Hertz
- Single phase, 115, 208-230 and 277 volt
- Three phase, 208-230, 460 and 575 volt
- Slide type adjustable motor base
- Standard cross section "V-belt" drive with 1.2 design service factor
- Adjustable pitch motor pulley and fixed pitch blower pulley

Coils:

- 1/2" OD seamless copper tubes
- Collared and corrugated aluminum fins
- ARI 410 certified and labeled
- 300 PSIG working pressure @ 200° F
- Manual air vent fitting on all water coils
- Copper ODM sweat connections
- 0.016" tube wall on water coils and evaporator coils
- 0.025" tube wall on steam coils

Filters and Filter Rack:

- Side access flat filter rack
- Standard size 2" nominal thickness throwaway filters
- Hinged cover on external filter rack
- Standard filter rack designed to accept 2" thick filters

OPTIONAL FEATURES

Casing Construction:

- Scrim reinforced foil faced insulation
- 1" thick EcoShield Liner/insulation
- Gasketed, hinged access panels with lift & turn latches
- Alternate fan discharge arrangements
- IAQ stainless steel sloped drain pan with 1" galvanized pipe outlet one side
- Auxiliary (secondary) drain connections

Fan Motor and Drive:

- High efficiency three phase motors
- Spare set of drive belts

Coils:

- 1, 2, 3, 4 and 6 row water coils
- 3, 4 and 6 row R22 evaporator coils
- 1 and 2 row standard steam coils
- Heating coils in pre-heat or re-heat position
- Auto air vent on water coils
- Stainless steel coil casing
- 8, 10, 12 and 14 FPI fin spacing
- High and low GPM water coil circulation

Filters and Filter Rack:

- 2" pleated filters
- High efficiency filter rack to accept 2" and 4" thick filters
- Spare set of filters

TBV

Belt Drive Blower Coil Unit, Additional Section Features and Options

STANDARD FEATURES

Mixing Box Section:

- Casing features to match basic unit
- Heavy gauge galvanized steel formed blade dampers with interconnecting damper linkage
- Low leakage type construction with blade edge and jamb seals
- Parallel blade operation
- 1/2" diameter round drive rods both sides
- Gasketed removable access panels
- Standard rear & top inlet locations
- 1" inlet collars

Base Rail Assembly:

- 12 gauge galvanized steel construction
- 5/8" rigging holes
- Factory assembled to unit
- Available for ceiling or floor mounting

Electrical:

- All units ETL listed in compliance with UL/ANSI Standard 1995
- Fan motor wired to standard control enclosure

OPTIONAL FEATURES

Mixing Box Section:

- Opposed blade operation on unit sizes 20 and above
- Optional rear & bottom or top & bottom inlet locations

Base Rail Assembly:

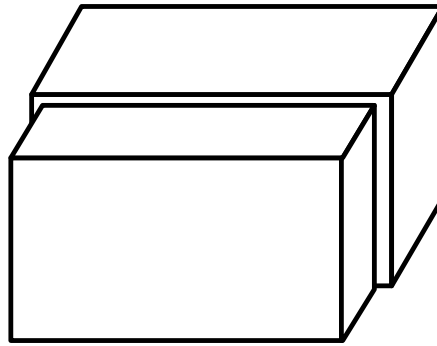
- Factory selected and furnished ceiling hanger (TBH only) or floor mount (TBH and TBV), rubber-in-shear or spring type vibration isolators

Electrical:

- Motor wiring in conduit
- Single phase fan control package
- Three phase fan control package
- Door interlocking disconnect switch (non-fused or with main fusing)
- Main fusing
- Frequency inverters

TBV

Belt Drive Blower Coil Unit, Blow-thru Electric Heat Section Features and Options



STANDARD FEATURES

- Galvanized steel casing
- Listed for zero clearance installation
- Meets National Electric Code requirements
- Ni-Chrome wire in ceramic insulators
- Stainless steel element terminals and hardware
- Element support brackets on maximum 3- $\frac{1}{2}$ " spacing
- Solid cover with continuous full height hinge
- Over temperature protection
- All internal wiring rated for 105° C minimum
- Incoming line power distribution block
- Air flow proving switch (non-adjustable)
- ETL listed in compliance with UL/ANSI Standard 1995
- Single point power connection

OPTIONAL FEATURES

- Main incoming power disconnect, fused or nonfused
- Main fusing or fusing per stage
- Disconnecting break magnetic operating contactors
- Fan control package
- De-rated elements

NOTES:

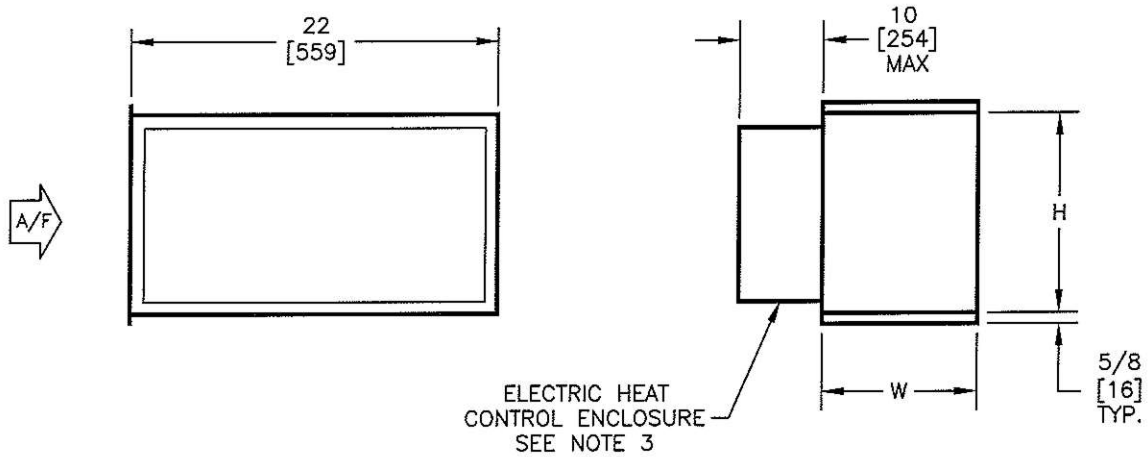
1. See individual unit and section drawings for dimensional details.
2. Unless otherwise noted, all electric heater sections are shipped factory mounted.
3. Provide sufficient clearance for electrical control enclosure to service controls and comply with all applicable codes and ordinances.
4. Blow-thru electric heater may require separate support at outlet end.

TBV

Belt Drive Blower Coil Unit, Blow-thru Electric Heat

NOTES:

1. All dimensions are inches [millimeters].
All dimensions are $\pm 1/4"$ (6mm). Metric values are soft conversion.
2. Motor/drive location may be specified Left or Right hand. Standard control enclosure location matches motor/drive position.
3. Provide sufficient clearance to permit access to controls and comply with applicable codes and ordinances.
4. Available for horizontal discharge only.



BT
BLOW THRU
ELECTRIC HEAT
SECTION

DIMENSIONS

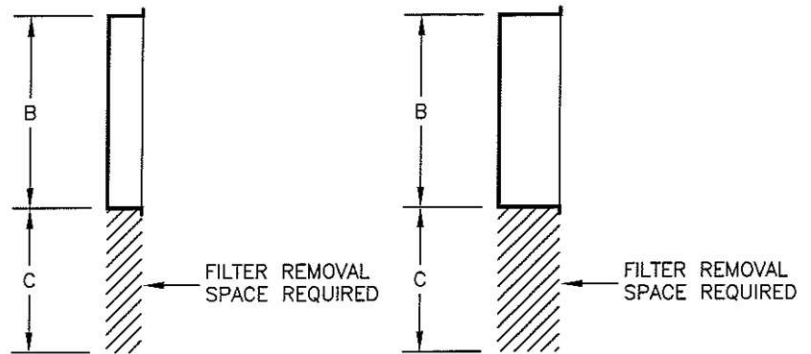
| Unit Size | H | W | Weight - lbs [kg] |
|-----------|--------------|--------------|-------------------|
| 8 | 11-7/8 [302] | 8-7/8 [225] | 42 [19] |
| 12 | 11-7/8 [302] | 8-7/8 [225] | 42 [19] |
| 16 | 12 [305] | 10-7/8 [278] | 42 [19] |
| 20 | 12 [305] | 13-7/8 [352] | 50 [23] |
| 30 | 16-5/8 [302] | 13-7/8 [352] | 55 [25] |
| 40 | 16-5/8 [302] | 15-5/8 [397] | 55 [25] |

TBV

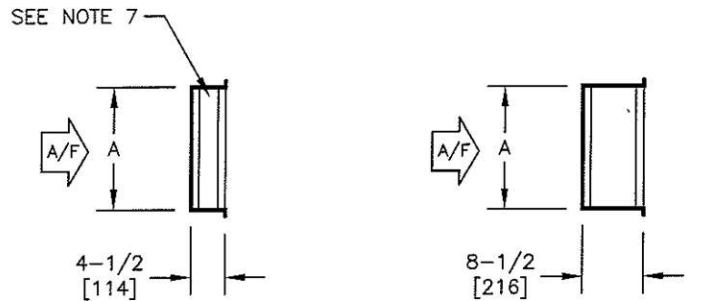
Belt Drive Blower Coil Unit, Standard Flat Filter Rack

NOTES:

1. All dimensions are inches [millimeters].
All dimensions are $\pm \frac{1}{4}$ " (6mm). Metric values are soft conversion.
2. Flat filter rack may be located at unit inlet as required.
3. Standard rack will accept nominal 1" or 2" thick filters.
4. High eff. Rack will accept nominal 2" and/or 4" thick filters.
5. High eff. Rack not available on "THM" and "TVM" units.
6. 1" duct connection space provided on entering side of rack for connection of field ductwork.
7. Hinged cover provided on both sides of externally mounted filter racks. Internal standard filter racks have pivoting bar type filter retainer.
8. See individual unit submittal drawings for location of filter rack on unit.



TOP VIEWS



STANDARD

HIGH EFFICIENCY

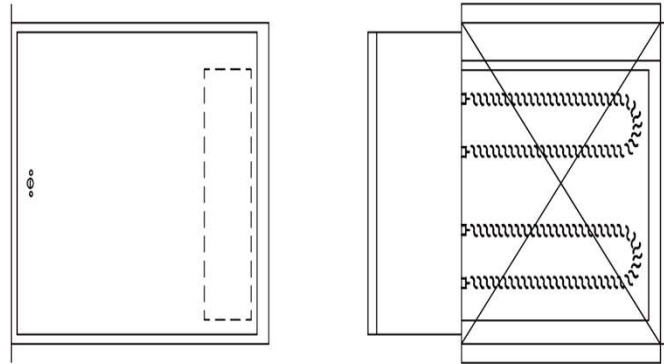
SIDE VIEWS

DIMENSIONS

| Unit Size | A | B | C | Quantity & Filter Size |
|-----------|----------|---------------|----------|----------------------------|
| 8 | 16 [406] | 20 [508] | 20 [508] | (1) 16 x 20 |
| 12 | 16 [406] | 25 [635] | 25 [635] | (1) 16 x 25 |
| 16 | 16 [406] | 39-1/2 [1003] | 20 [508] | (2) 16 x 20 |
| 20 | 16 [406] | 44-1/2 [1130] | 25 [635] | (1) 16 x 20 (1) 16 x 25 |
| 30 | 25 [635] | 51 [1295] | 25 [635] | (2) 16 x 25 (1) 20 x 25 |
| 40 | 25 [635] | 59 [1499] | 25 [635] | (3) 20 x 25 |

TBV

Belt Drive Blower Coil Unit, Blow Thru Electric Heat



Side View

Front View

Airflow → **Blow Thru**
(installed on unit discharge)

| UNIT VOLTAGE AND PHASE | | | ELECTRIC HEAT KW LIMITS | | | | | | | | | | | |
|------------------------|------|------|-------------------------|------|------|------|------|------|------|------|------|------|------|------|
| | | | Unit Size | | | | | | | | | | | |
| | | | 08 | | 12 | | 16 | | 20 | | 30 | | 40 | |
| | | | Min | Max | Min | Max | Min | Max | Min | Max | Min | Max | Min | Max |
| Single Phase | 115 | kW | 3 | 5 | 3 | 5 | 3 | 5 | 4 | 5 | | | | |
| | | AMPs | 26.1 | 43.5 | 26.1 | 43.5 | 26.1 | 43.5 | 34.8 | 43.5 | | | | |
| | 208 | kW | 3 | 9 | 3 | 9 | 3 | 9 | 4 | 9 | 6 | 9 | 7 | 9 |
| | | AMPs | 14.4 | 43.3 | 14.4 | 43.3 | 14.4 | 43.3 | 19.2 | 43.3 | 28.8 | 43.3 | 33.7 | 43.3 |
| | 230 | kW | 3 | 11 | 3 | 11 | 3 | 11 | 4 | 11 | 6 | 11 | 7 | 11 |
| | | AMPs | 13.0 | 47.8 | 13.0 | 47.8 | 13.0 | 47.8 | 17.4 | 47.8 | 26.1 | 47.8 | 30.4 | 47.8 |
| 277 | kW | 3 | 13 | 3 | 13 | 3 | 13 | 4 | 13 | 6 | 13 | 7 | 13 | |
| | AMPs | 10.8 | 46.9 | 10.8 | 46.9 | 10.8 | 46.9 | 14.4 | 46.9 | 21.7 | 46.9 | 25.3 | 46.9 | |
| Three Phase | 208 | kW | 3 | 13 | 3 | 16 | 3 | 16 | 4 | 16 | 4 | 16 | 7 | 16 |
| | | AMPs | 8.3 | 36.1 | 8.3 | 44.4 | 8.3 | 44.4 | 11.1 | 44.4 | 11.1 | 44.4 | 19.4 | 44.4 |
| | 230 | kW | 3 | 13 | 3 | 18 | 3 | 18 | 4 | 18 | 4 | 18 | 7 | 18 |
| | | AMPs | 7.5 | 32.6 | 7.5 | 45.2 | 7.5 | 45.2 | 10.0 | 45.2 | 10.0 | 45.2 | 17.6 | 45.2 |
| | 460 | kW | 3 | 13 | 3 | 20 | 3 | 20 | 4 | 26 | 4 | 26 | 7 | 38 |
| | | AMPs | 3.8 | 16.3 | 3.8 | 25.1 | 3.8 | 25.1 | 5.0 | 32.6 | 5.0 | 32.6 | 8.8 | 47.7 |
| | 575 | kW | 3 | 13 | 3 | 20 | 3 | 20 | 4 | 26 | 4 | 26 | 7 | 46 |
| | | AMPs | 3.0 | 13.1 | 3.0 | 20.1 | 3.0 | 20.1 | 4.0 | 26.1 | 4.0 | 26.1 | 7.0 | 46.2 |

NOTES:

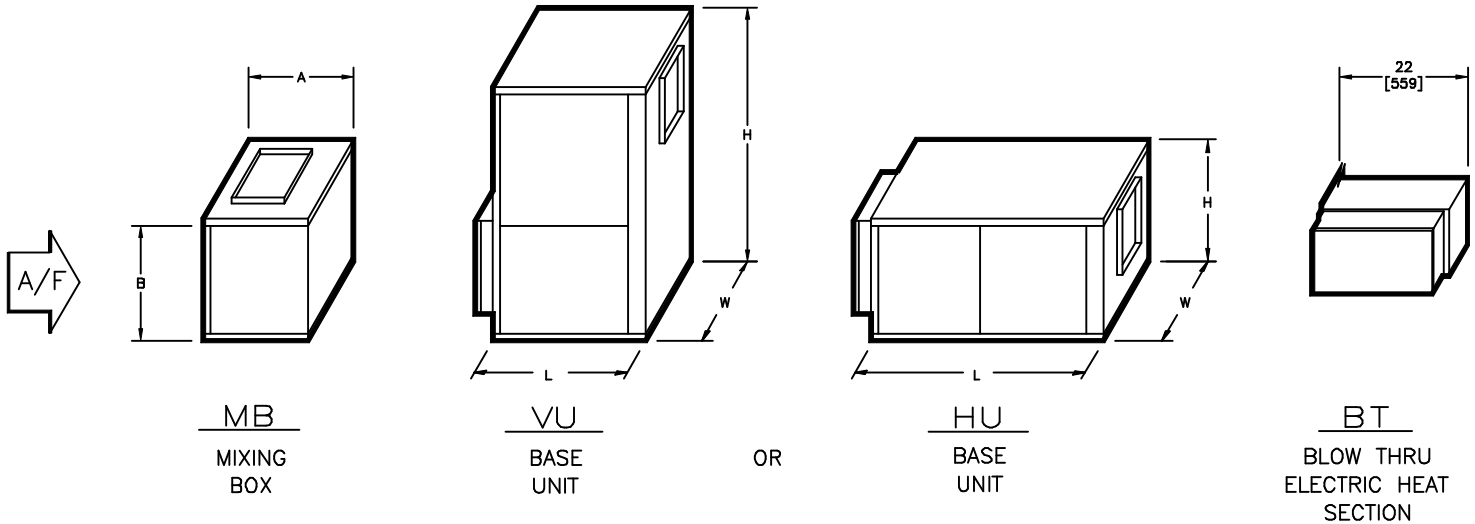
- Standard heater kW limits are maximum per unit size and voltage.
- Heater should be sized for a maximum leaving air temperature of 104° F.

TBV

Belt Drive Blower Coil Unit, Unit Configuration

NOTES:

1. All dimensions are inches [millimeters].
All dimensions are +/- 1/4" (6mm). Metric values are soft conversion.
2. See DWG. on page 11 for rigging hole and base rail details.
3. This drawing is for identification of unit configuration only. See individual unit and section drawings for submittal details.
4. Flat filter rack will be located as required.



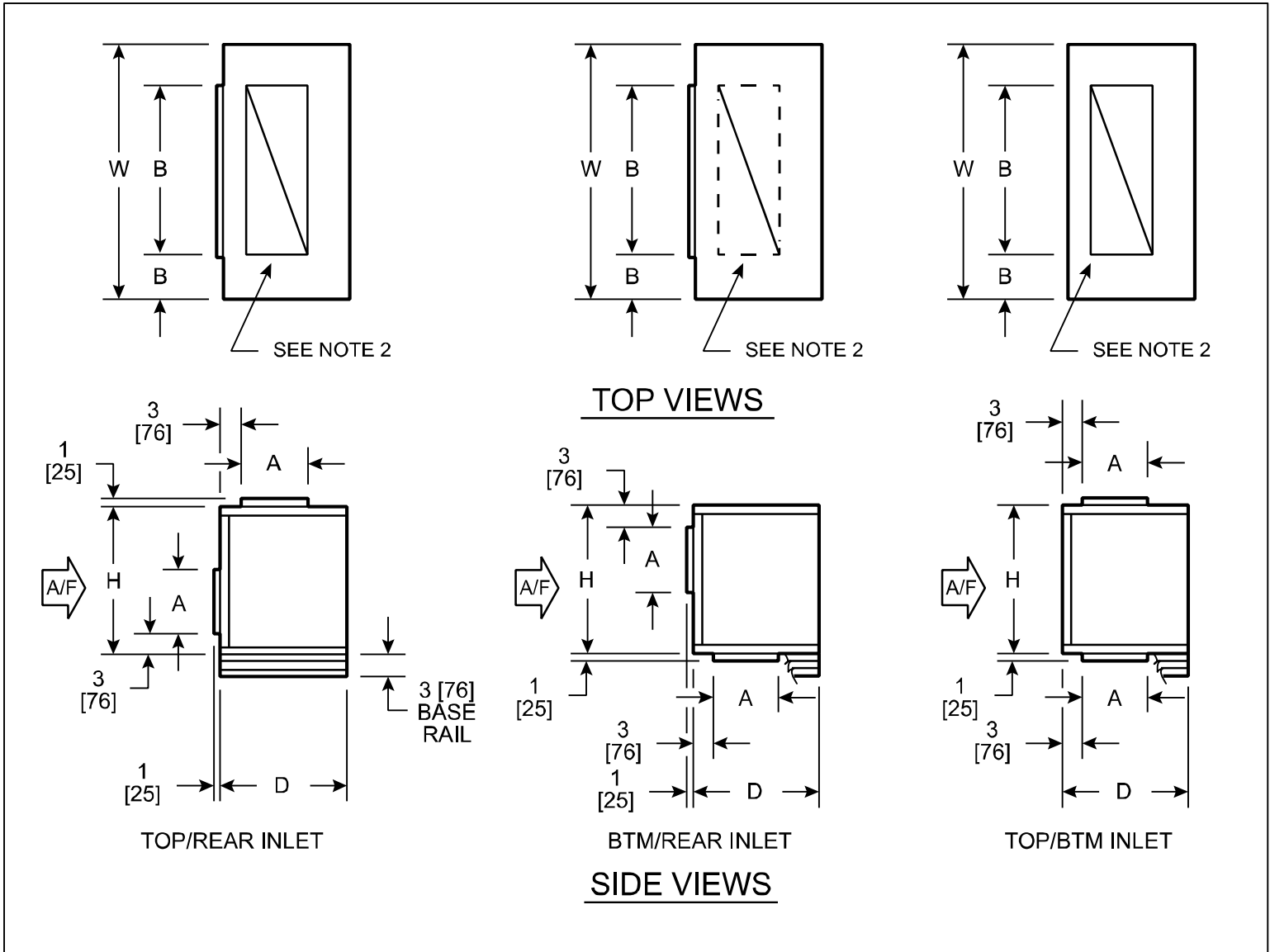
DIMENSIONS

| Unit Size | H | | W | L | | A | B |
|-----------|----------|-----------|-----------|-----------|----------|----------|----------|
| | HU | VU | | HU | VU | | |
| 8 | 21 [533] | 44 [1118] | 30 [762] | 40 [1016] | 24 [610] | 18 [457] | 21 [533] |
| 12 | 21 [533] | 44 [1118] | 36 [914] | 40 [1016] | 24 [610] | 18 [457] | 21 [533] |
| 16 | 21 [533] | 44 [1118] | 44 [1118] | 40 [1016] | 24 [610] | 18 [457] | 21 [533] |
| 20 | 21 [533] | 50 [270] | 50 [270] | 40 [1016] | 30 [762] | 21 [533] | 21 [533] |
| 30 | 30 [762] | 56 [1422] | 59 [1270] | 46 [1168] | 30 [762] | 21 [533] | 30 [762] |
| 40 | 30 [762] | 59 [1270] | 68 [1727] | 46 [1168] | 30 [762] | 24 [610] | 30 [762] |

t

TBV

Belt Drive Blower Coil Unit, Standard Mixing Box



DIMENSIONS

NOTES:

- All dimensions are inches [millimeters]. All dimensions are $\pm 1/4"$ (6mm). Metric values are soft conversion.
- Damper drive rods are internal, located on both sides of unit.
- Mixing box includes space for standard flat filter rack.
- See drawing on page 11. Base rails must be used with mixing box.

| Unit Size | H | W | A | B | C | D |
|-----------|----------|-----------|----------|-----------|----------|----------|
| 8 | 21 [533] | 30 [762] | 9 [229] | 18 [457] | 6 [152] | 18 [457] |
| 12 | 21 [533] | 36 [914] | 9 [229] | 24 [610] | 6 [152] | 18 [457] |
| 16 | 21 [533] | 44 [1118] | 9 [229] | 30 [762] | 7 [178] | 18 [457] |
| 20 | 21 [533] | 50 [1270] | 12 [305] | 36 [914] | 7 [178] | 21 [533] |
| 30 | 30 [762] | 59 [1499] | 12 [305] | 45 [1143] | 7 [178] | 21 [533] |
| 40 | 30 [762] | 68 [1727] | 15 [381] | 48 [1219] | 10 [254] | 24 [610] |

TBV

Belt Drive Blower Coil Connection size and Unit Weight

TBV is available with hot water, chilled water, direct expansion (DX), and standard steam coils for specific application. Coils are AHRI certified and labeled.

Nominal Coil Connection Sizes

| UNIT SIZE | COIL TYPE | | | | | | | | | | | | | | |
|-----------|----------------|----------------|----------------|----------------|----------------|----------------|----------------|----------------|----------------|--------------|----------------|--------------|----------------|--------------|----------------|
| | WATER | | | | | STEAM | | | | REFRIGERANT | | | | | |
| | 1 ROW | 2 ROW | 3 ROW | 4 ROW | 6 ROW | 1 ROW | | 2 ROW | | 3 ROW | | 4 ROW | | 6 ROW | |
| | | | | | | STM. | COND. | STM. | COND. | LIQ. | SUCT. | LIQ. | SUCT. | LIQ. | SUCT. |
| 08 | 5/8" [16] | 5/8" [16] | 7/8" [22] | 7/8" [22] | 7/8" [22] | 1 1/8" [29] | 7/8" [22] | 1 1/8" [29] | 7/8" [22] | 5/8" [16] | 5/8" [16] | 5/8" [16] | 5/8" [16] | 5/8" [16] | 5/8" [16] |
| 12 | 5/8" [16] | 5/8" [16] | 7/8" [22] | 7/8" [22] | 7/8" [22] | 1 1/8" [29] | 7/8" [22] | 1 1/8" [29] | 7/8" [22] | 5/8" [16] | 7/8" [22] | 5/8" [16] | 7/8" [22] | 5/8" [16] | 7/8" [22] |
| 16 | 5/8" [16] | 7/8" [22] | 7/8" [22] | 7/8" [22] | 1 1/8" [29] | 1 1/8" [29] | 7/8" [22] | 1 1/8" [29] | 1 1/8" [29] | 5/8" [16] | 7/8" [22] | 5/8" [16] | 7/8" [22] | 5/8" [16] | 7/8" [22] |
| 20 | 5/8" [16] | 7/8" [22] | 1 1/8" [29] | 1 1/8" [29] | 1 1/8" [29] | 1 3/8" [35] | 1 1/8" [29] | 1 3/8" [35] | 1 1/8" [29] | 5/8" [16] | 7/8" [22] | 5/8" [16] | 7/8" [22] | 5/8" [16] | 7/8" [22] |
| 30 | 7/8" [22] | 1 1/8" [29] | 1 1/8" [29] | 1 1/8" [29] | 1 3/8" [35] | 1 5/8" [41] | 1 1/8" [29] | 1 5/8" [41] | 1 1/8" [29] | 5/8" [16] | 1 1/8" [29] | 5/8" [16] | 1 1/8" [29] | 5/8" [16] | 1 1/8" [29] |
| 40 | 1 1/8" [29] | 1 3/8" [35] | 1 3/8" [35] | 1 3/8" [35] | 1 5/8" [41] | 2 1/8" [54] | 1 3/8" [35] | 2 1/8" [54] | 1 3/8" [35] | 5/8" [16] | 1 1/8" [29] | 5/8" [16] | 1 1/8" [29] | 7/8" [22] | 1 3/8" [35] |

NOTES:

1. Water coils are based on Standard GPM Circuiting. Consult Titus for applications requiring special circuiting.
2. Refrigerant coil connection sizes for single circuit coils and may vary with application. Contact Titus for double circuit coils.
3. All dimensional data is outside diameter (O.D.)

Unit Weight Data

| COMPONENT | UNIT SIZE | | | | | |
|---------------------------|-------------|----------|----------|----------|-----------|-----------|
| | 08 | 12 | 16 | 20 | 30 | 40 |
| BASE UNIT | 135 [61] | 157 [71] | 177 [80] | 200 [90] | 290 [131] | 360 [163] |
| MIXING BOX | 46 [21] | 54 [24] | 65 [29] | 90 [41] | 105 [46] | 162 [73] |
| BLOW THRU ELECTRIC HEATER | 42 [19] | 42 [19] | 42 [19] | 50 [23] | 55 [25] | 55 [25] |
| COIL ROWS | 1 ROW - DRY | 12 [5] | 14 [6] | 17 [8] | 21 [10] | 32 [15] |
| | 1 ROW - WET | 14 [6] | 16 [7] | 20 [9] | 25 [11] | 41 [19] |
| | 2 ROW - DRY | 17 [8] | 21 [10] | 26 [12] | 33 [15] | 52 [24] |
| | 2 ROW - WET | 21 [10] | 26 [12] | 32 [15] | 42 [19] | 69 [31] |
| | 3 ROW - DRY | 23 [10] | 28 [13] | 35 [16] | 45 [20] | 72 [33] |
| | 3 ROW - WET | 29 [13] | 36 [16] | 44 [20] | 59 [27] | 95 [43] |
| | 4 ROW - DRY | 29 [13] | 35 [16] | 44 [20] | 57 [26] | 91 [41] |
| | 4 ROW - WET | 37 [17] | 45 [20] | 56 [25] | 74 [34] | 121 [55] |
| | 6 ROW - DRY | 40 [18] | 49 [22] | 62 [28] | 81 [37] | 132 [60] |
| 6 ROW - WET | 52 [24] | 64 [29] | 81 [37] | 106 [48] | 178 [81] | |

NOTE: Unit weight data is shipping weight in pounds [kilograms].

TBV

Revision History

| Revision Date | Version Date | Initiated By | Description |
|---------------|--------------|--------------|--|
| 09/26/19 | 03/01/18 | J.Letterman | page 14 removed note from Electric heat optional features regarding the SSR. |
| | | | |
| | | | |
| | | | |
| | | | |
| | | | |